

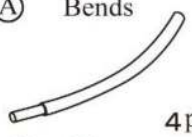
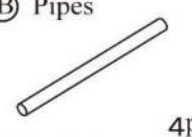
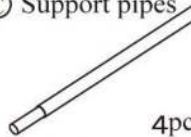
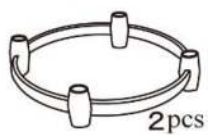
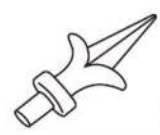


1.7m Garden Obelisk

G4475

General information and safety warnings

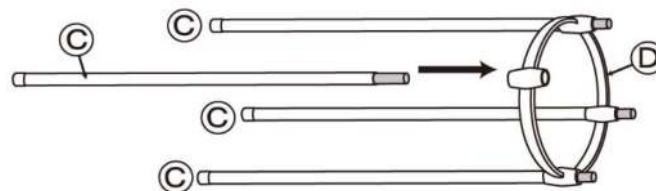
- Ensure that you have all parts present prior to assembly.
- Do not load on top of the obelisk.
- Do not allow children to play on the obelisk.
- Not suitable for commercial purposes.
- Assemble on a flat surface and in the area that you wish to place your obelisk.

Parts list

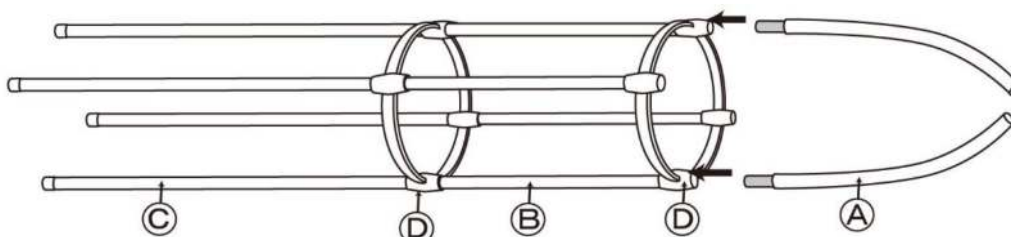
<p>Ⓐ Bends</p>  <p>4 pcs 16 x 490mm</p>	<p>Ⓑ Pipes</p>  <p>4 pcs 16 x 400mm</p>	<p>Ⓒ Support pipes</p>  <p>4 pcs 16 x 810mm</p>	<p>Ⓓ Ring</p>  <p>2 pcs</p>	<p>Ⓔ Decoration cap</p>  <p>1 pcs</p>
<p>Ⓕ Connectors 1</p>  <p>1 PCS</p>	<p>Ⓖ Connectors 2</p>  <p>1 PCS</p>			

Assembly

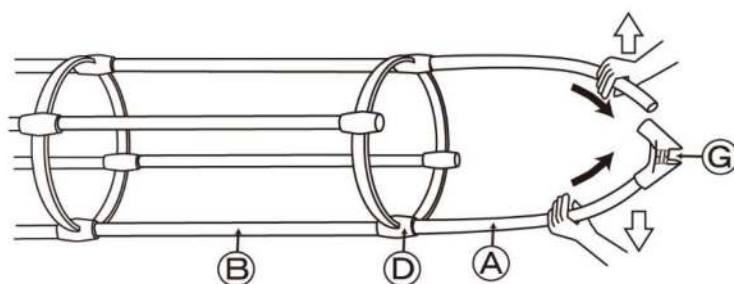
1. Slide the four support pipes (C) into the ring (D).



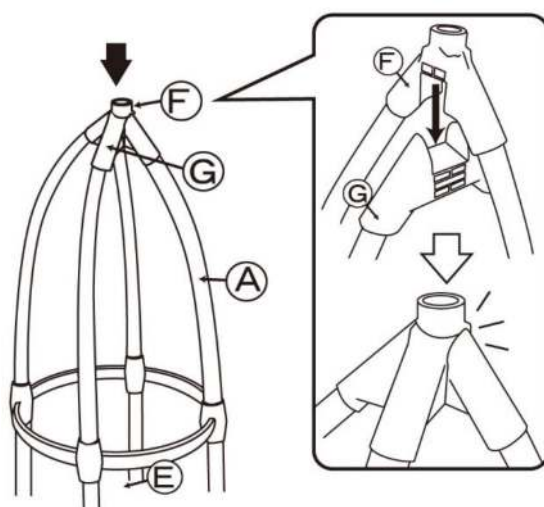
2. Continue sliding the four pipes (B) into the other ring (D) and the 2 bends (A).



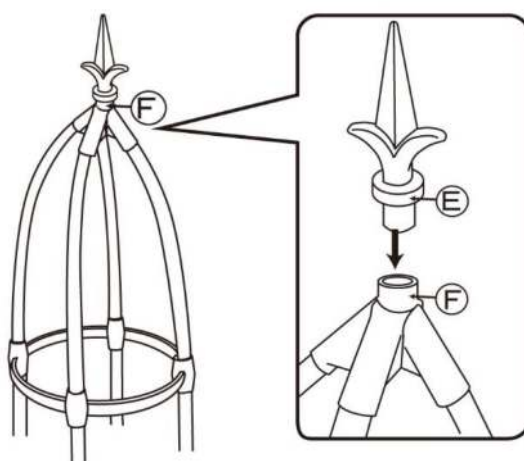
3. Fix the bends (A) with the connectors (G).



4. Continue connecting the 2 bends (A) with the whole structure, secured by connector 1 (F) and the connector 2 (G), push them together.

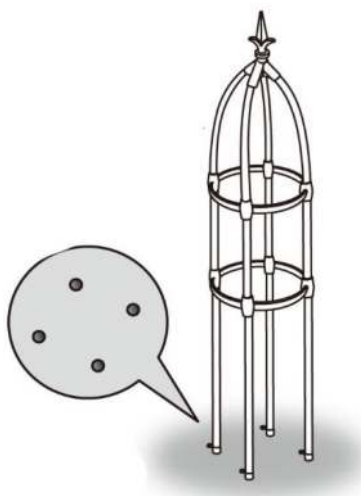


5. Install the decoration cap (E).

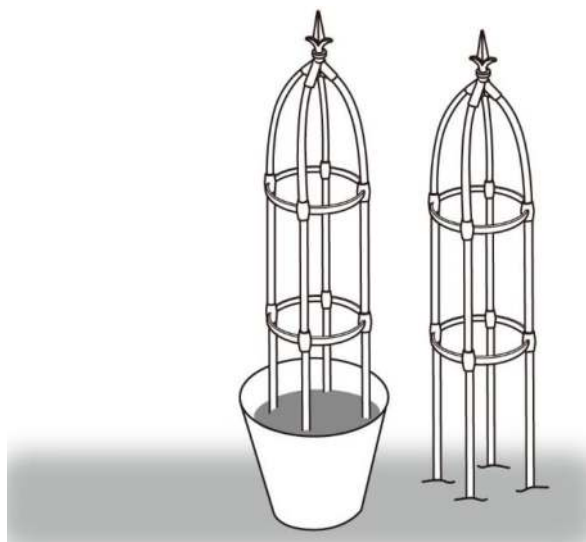


Placing the obelisk

1. At the place where you want to place the obelisk, mark the position by making 4 small holes in the ground.



2. Dig the holes on the marked position, 20cm into the soil is the recommended depth.
3. Insert the obelisk and ensure that it is secure. You can also plant it directly into a large pot or tub after you have planted your choice of plant and use garden ties to attach you plant to the trellis, it is a good idea for stability to sprinkle some light gravel or pebbles around the trellis and plant on top of the soil.





GUARANTEE

IMPORTANT

**Please do not return this product without first calling the Customer Service number below:
0871 911 7031***

Thank you for purchasing this product, which has been made to demanding high quality standards and is guaranteed for domestic use against manufacturing faults for a period of 12 months from the date of purchase.

Register your product for an extended 2-year warranty by visiting our website www.gardengearonline.co.uk. The product must be registered, along with your contact information, within 30 days of purchase. For full terms and conditions please visit our website.

This guarantee does not affect your statutory rights. If your product fails due to a defect in material or workmanship during this period, please return it to the place of purchase. Normal wear and tear is not covered under the guarantee.

Any guarantee is invalid if the product has been misused or subject to neglect or an attempted repair other than by our own service centre.

Due to continuous product improvement, we reserve the right to change the product specification without prior notice.

After Sales Customer Service:

Customer Service Department, Branded Garden Products Ltd, Premier House, Hortonwood 7, Telford, TF1 7GP, UK

Telephone: 0871 911 7031*

E-mail customerservice@gardengearonline.co.uk

Please retain for future reference.

Colours and contents may vary.

*Calls cost 13p per minute plus your phone company's access charge