



1800-Watt Push Garden Leaf Blower & Vacuum Instruction Manual



After Sales Support
Call 0871 911 7031
Email
customerservice@gardengearonline.co.uk
Product Code G4080

Thank you for purchasing this product, which has been made to demanding high quality standards and is guaranteed for domestic use against manufacturing faults for a period of 12 months from date of purchase

For correct usage, please read these instructions carefully before use and keep in a safe place for future reference.

AFTER SALES SUPPORT ☎ 0871 911 7031 💻 CUSTOMERSERVICE@GARDENGEARONLINE.CO.UK



INTRODUCTION

Congratulations

You have made an excellent choice with the purchase of this quality Garden Gear product.

By doing so you now have the assurance and peace of mind which comes from purchasing a product that has been manufactured to the highest standards, performance and safety.

We want you to be completely satisfied with your purchase, so this Garden Gear product is backed by our full 12 month manufacturers guarantee and an outstanding after sales service through our dedicated Helpline.

Register your product for an extended 2-year warranty by visiting our website www.gardengearonline.co.uk. The product must be registered, along with your contact information, within 30 days of purchase. For full terms and conditions please visit our website.











We hope you enjoy using your purchase for many years to come.

Safety information and general warnings

- Ensure that you read and understand all instructions. Failure to follow all instructions listed below may result in electric shock, fire and/or serious injury. All the warnings below refer to your mains operated (corded) blower vacuum.
- Keep work area clear and free of obstructions, cluttered areas invite accidents.
- Do not operate garden machinery in explosive atmospheres, such as in the presence of flammable liquids, gases, or dust. Garden machinery create sparks which may ignite the dust or fumes.
- Keep children and bystanders away while operating a garden machinery. Distractions can cause you to lose control.
- Garden machinery plugs must match the outlet. Never modify the plug in any way. Do not use any adapter plugs with earthed (grounded) garden machinery. Unmodified plugs and matching outlets will reduce risk of electric shock.
- Do not expose garden machinery to rain or wet conditions. Water entering a garden machinery will increase the risk of electric shock.
- Do not abuse the cord. Never use the cord for carrying, pulling or unplugging the garden machinery. Keep cord away from heat, oil, sharp edges or moving parts. Damaged or entangled cords increase the risk of electric shock.
- When operating a garden machinery outdoors, use an outdoor extension cord suitable for outdoor use.
- Do not use a garden machinery while you are tired or under the influence of drugs, alcohol, or medication. A moment of inattention while operating garden machinery may result in serious personal injury.
- Use safety equipment. Always wear eye protection. Safety equipment such as a dust mask, non-skid safety shoes, hard hat, or hearing protection used for appropriate conditions to avoid injuries.
- Avoid accidental starting. Ensure the switch is in the off-position before plugging in. Carrying garden machinery with your finger on the switch or plugging in garden machinery that have the switch on invites accidents.
- Do not overreach. Keep proper footing and balance at all times. This enables better control of the garden machinery in unexpected situations.
- Dress properly. Do not wear loose clothing or jewellery. Keep your hair, clothing and gloves away from moving parts.
- Do not force the garden machinery. Use the correct garden machinery for your application. The correct garden machinery will do the job better and safer at the rate for which it was designed.
- Do not use the garden machinery if the switch does not turn it on and off. Any garden machinery that cannot be controlled with the switch is dangerous and must be repaired.

- Disconnect the plug from the power source before cleaning or removing parts or storing garden machinery. Such preventive safety measures reduce the risk of starting the garden machinery accidentally.
- Store garden machinery out of the reach of children and do not allow persons unfamiliar with the garden machinery or these instructions to operate the garden machinery. Garden machinery are dangerous in the hands of untrained users.
- Switch the motor off and remove the plug when the tool is not being used, left unattended, being cleaned, being moved from one place to another or when the extension cord is entangled or damaged.
- Do not operate the tool near people, especially children or pets. Turn it off if they get too close. Maintain a safe distance of at least 5m from other people when using the tool.
- Never direct the blower outlet towards bystanders or pets. Never blow debris in the direction of bystanders or pets. The operator is responsible for accidents or hazards occurring to other people or their property.
- Do not handle the plug or the tool with wet hands and do not use the tool in the rain.
- Use only outdoor rated extension leads that are so marked. Keep the extension cord away from heat, oil and sharp edges.
- Ensure that the extension lead is secured in a manner that prevents it from disconnecting from the plug whilst in use.
- Keep all the air intakes and the blower outlets free of debris and other material that may cause a reduction in air flow.
- Keep a balanced and stable stance while using the tool.
- Only use the tool according to the instructions given in this manual.
- Check regularly that components and all screws are tight.
- Do not try to repair the tool or access internal parts. Contact a qualified service centres only.
- This product is not intended for use by persons (including children) with reduced physical, sensory or mental capabilities, or lack of experience and knowledge, unless they have been given supervision or instruction concerning the use of the product by a person responsible for their safety. Children should be supervised to ensure that they do not play with the product.

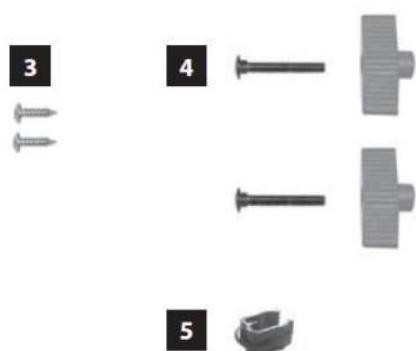
Safety symbols and their meaning

	WARNING! The following warning symbols are displayed on the tool to remind you of the safety precautions you should take when operating the tool.
	Read the instruction manual completely before using the garden machinery
	Make sure bystanders do not get injured by thrown-off items.
	Keep bystanders a safe distance from the tool.
	Rotating fan. Do not put your fingers in openings when the appliance is running.
	Protective glasses and ear defenders should be worn.
	Do not work in wet weather. Do not store the leaf blower in a location exposed to rain.
	Remove plug from the mains immediately if the cable is damaged
	Sound level indicated by LwA in dB
	Any defective or discarded electric or electronic devices must be disposed of at appropriate collection centres.

Also available to purchase if required a replacement dust bag code G4081. To order please contact our dedicated customer service team on 0871 911 7031* and quote the code. Or visit our website, www.gardengearonline.co.uk

Parts Description

1. Housing and power control handle
2. Extension handle tubes
3. Handle positioning screws
4. Handle locking bolts and wing nuts
5. Power cable positioning clip
6. Leaf collection bag

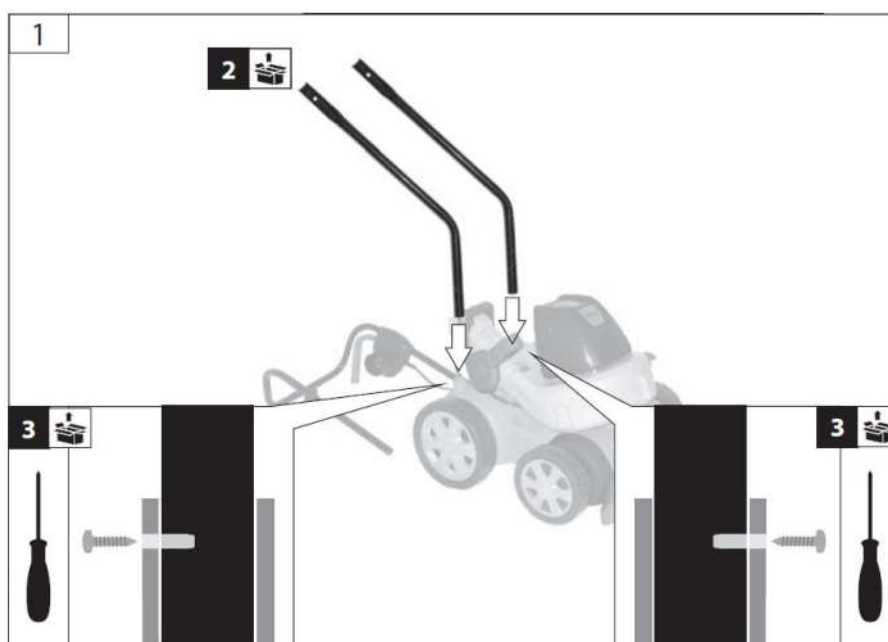


Assembly

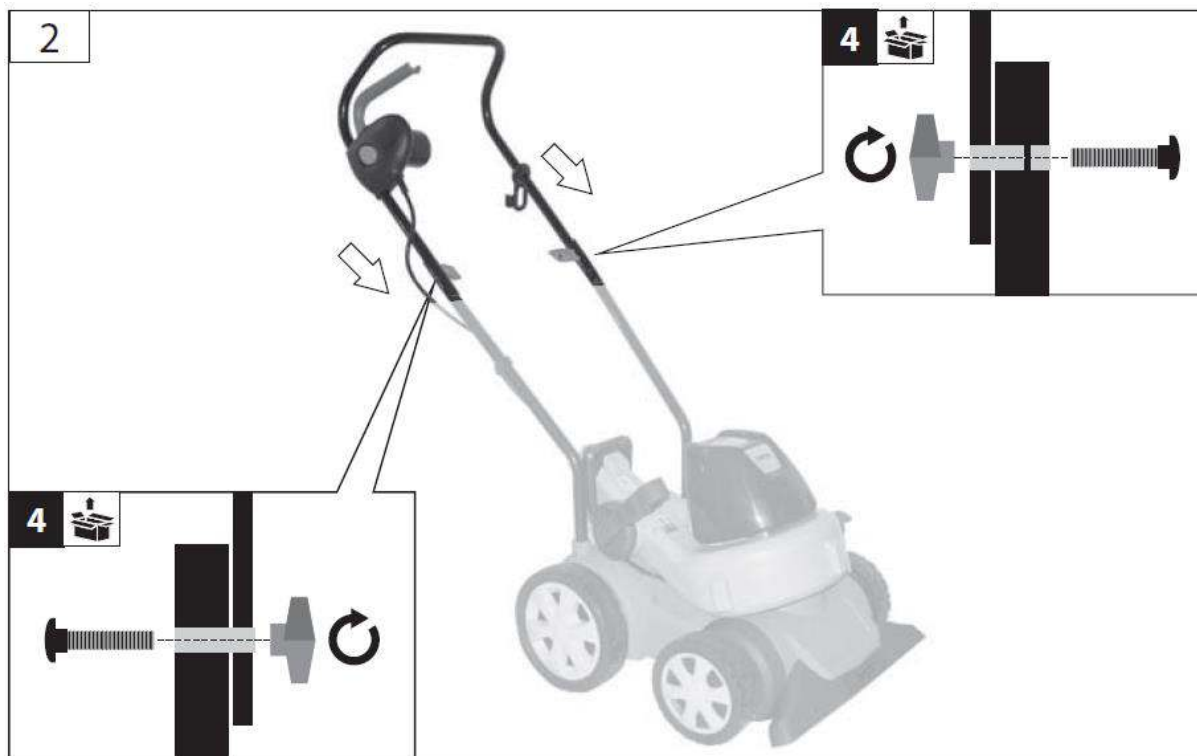
Remove all parts from the packaging and check that all are present and there is no sign of damage. Familiarise yourself with all parts.



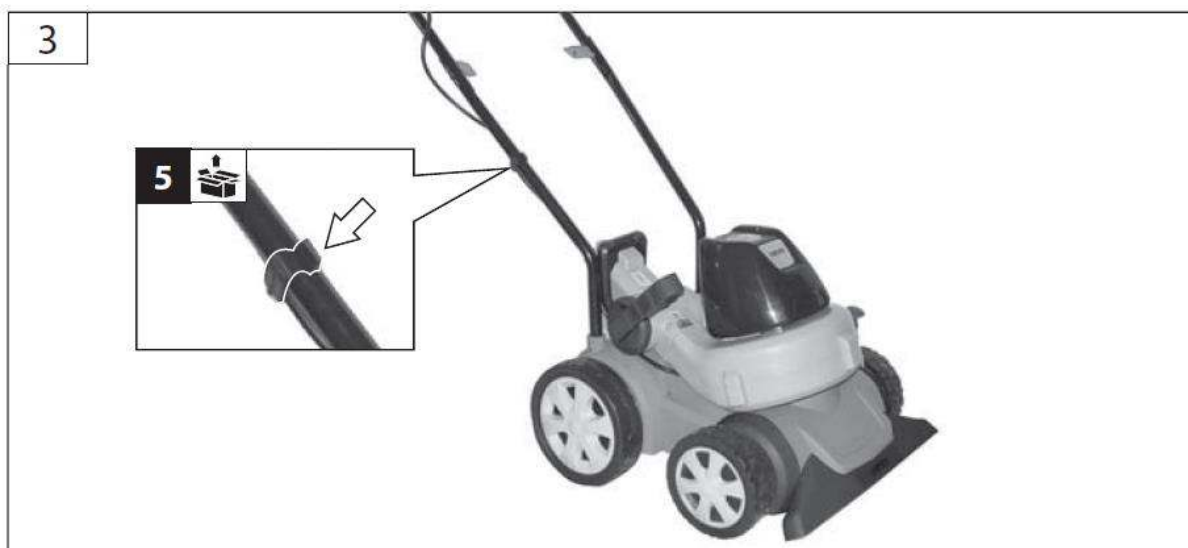
1. Attach the extension handle tubes (2) into the housing as shown below using the 2 screws supplied (3), tighten with a screwdriver.



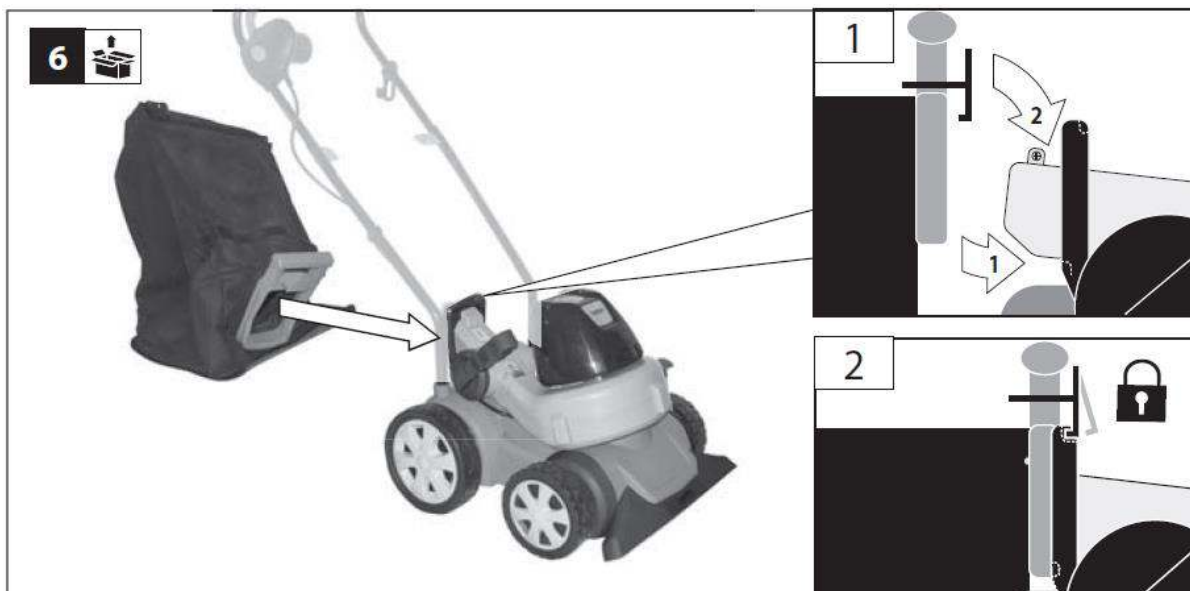
2. Position the power control handle on (1) using the locking bolts and wing nuts (4), turn clockwise to secure.



3. Push the power cable positioning clip (5) onto the extension handle tubes (2) securing the cable against the tube as shown below.



4. Attach the leaf collection bag (6) following the 2 steps shown below. Attach the bottom first arrowed 1 and then the upper part arrowed 2, depress the locking clip indicated by the padlock symbol at 2.



5. Attach the leaf collection bag (6) to the upper and lower tubes using the fitted 4 plastic clips.

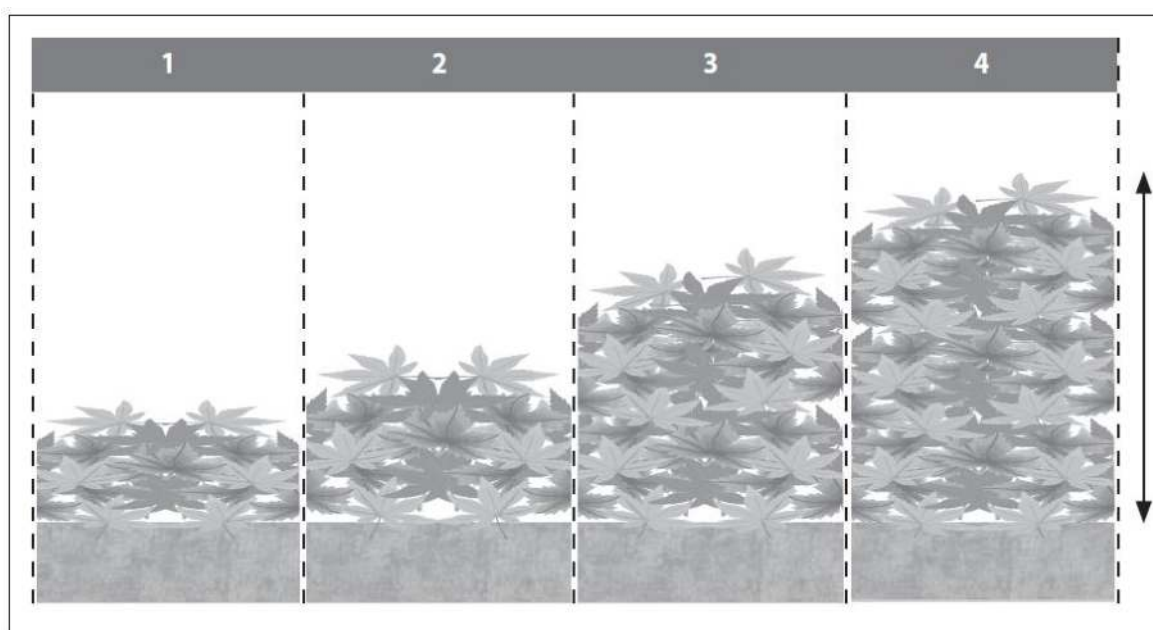
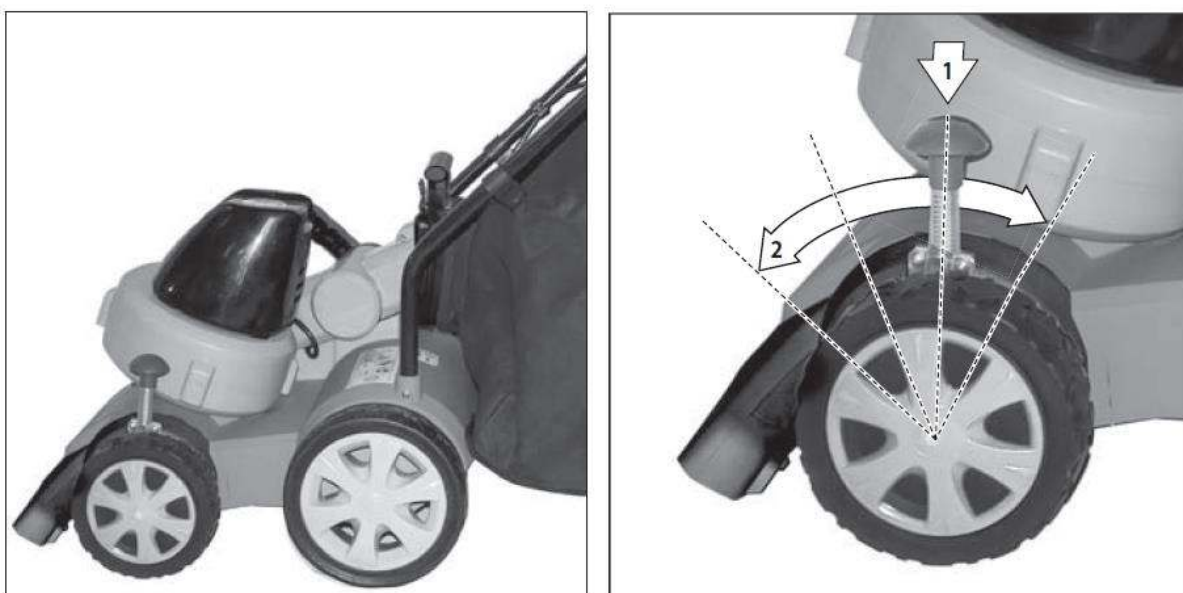


Instructions for use

Choose a dry day and preferably where leaves have been allowed to dry out. It helps if the leaves are turned over a couple of times prior to operation, using a rake the day before you intend to clear them allowing them to dry on both sides.

Height adjustment

Adjust the height of the blower vacuum by pressing down on the adjustment control arrowed 1 on the front and move forward and back to choose one of the 4 choices, depending on the amount of leaves that are present and whether you are blowing or vacuuming. See guide below.



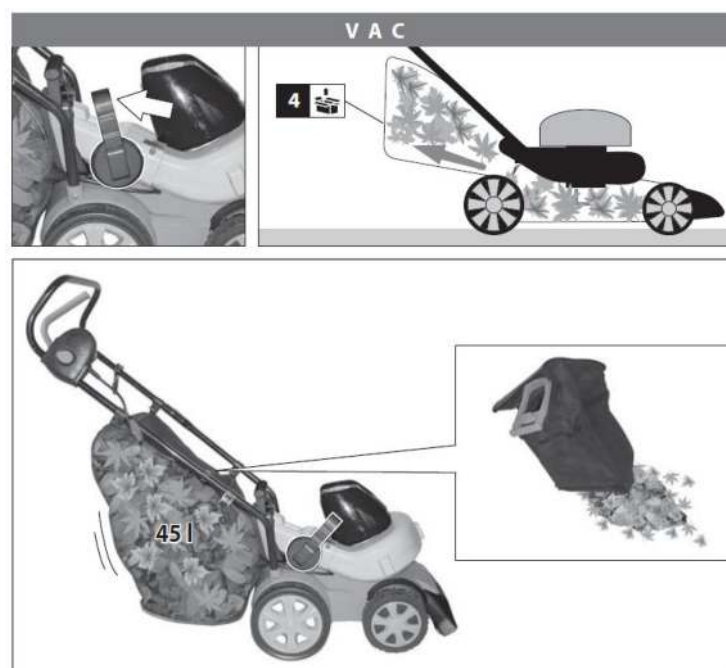
Starting and stopping the motor

Plug the blower vacuum into a suitable power supply and if an extension cable is used should be fitted with a suitable Residual Current Device (RCD). With one finger depress the button arrowed 1 and then pull the trigger arrowed 2. The machine will start. To cut the power simply let go of the trigger.



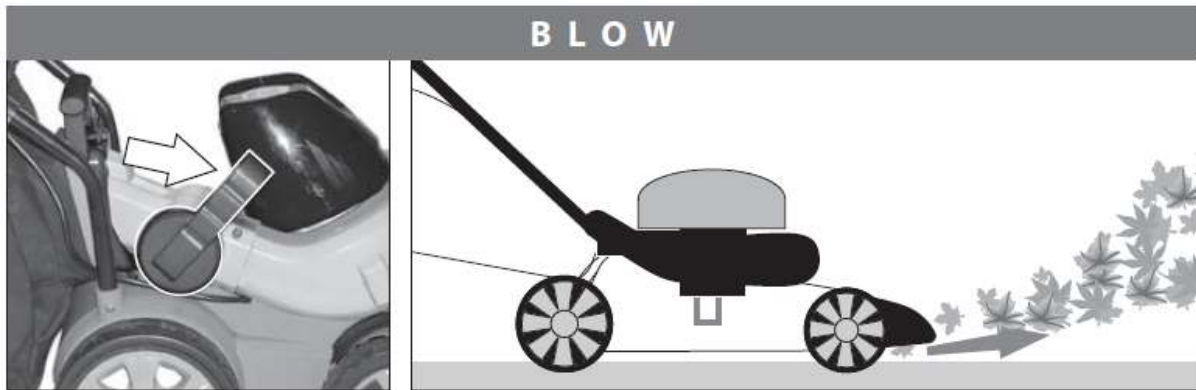
Vacuuming

To vacuum push the selection lever in the direction shown below and the leaves will be drawn into the collection bag which has a capacity of 45 Litres. Regularly check the bag to make sure its not full and empty as required.



Blowing

To blow push the selection lever in the direction shown below and the leaves will be blown to the desired location. Make sure you are in the correct position to both vacuum and blow leaves during use as indicated by the ticks below and as a safety precaution ensure nobody is in your path.



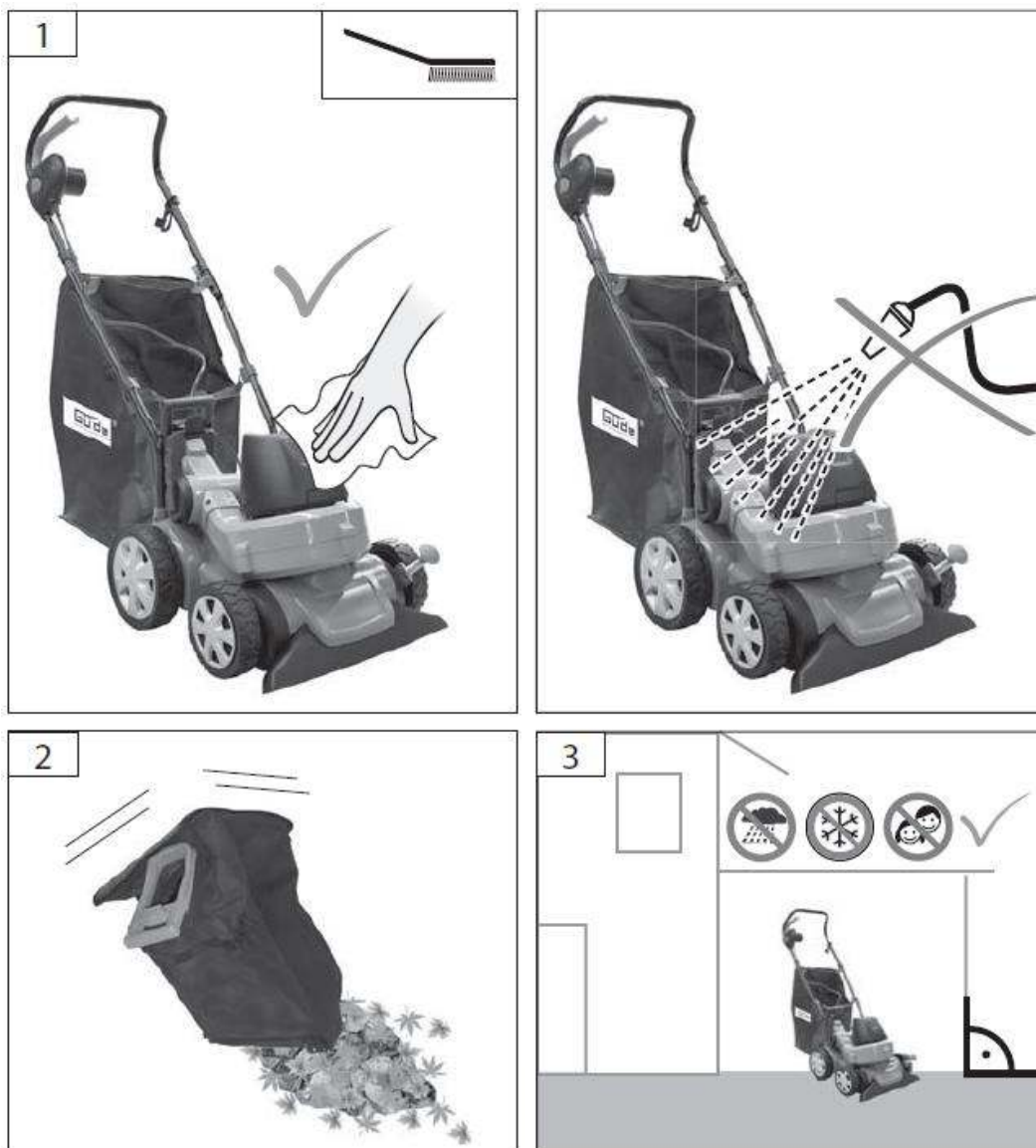
Care and maintenance

Make sure that all nuts, bolts and screws are tight and are fitted correctly before and after each use.

All damaged and worn parts should be replaced to maintain the blower vacuum in a safe working condition.

After use the leaf blower vacuum should be disconnected from the power supply and any leaves in the collection bag removed. Thoroughly clean all areas using a soft brush on the upper and lower surfaces to remove any debris and leaf particles and then wipe all surfaces with a damp cloth, thoroughly dry before storing in a cool dry place.

Do not use water or any type of cleaning solvent or abrasive materials on the parts of the surfaces as this will damage them.



Technical specifications

Mains voltage	230-240 Volts
Mains frequency	50 Hz
Safety class	II
Type of protection	IP X4
Motor power(P1)	1800 W
Engine speed	13.400 min ¹
Air speed	270km/h
Chaff rate	10:1
Air volume flow rate	840m ³ /h
Collection bag capacity	45L
Net gross weight	9.5/11kg
Noise detail	
Sound pressure level LpA ¹)	95 dB (A)
Measured sound power level LwA ¹)	107,4 dB (A)
Guaranteed sound pressure level LwA ²)	111 dB (A)
Measured according to ¹) EN 50636 ²)2000/14EC Uncertainty K=3db(A)	
Vibration detail	
Vibration total values (triaxial vector sum) according to EN50636:	
Vibration emission value ah	3.7 m/s ²
Uncertainty K=1.5 m/s ²	

Plug Wiring

These safety instructions should be read carefully and kept in safe place for future reference.

This appliance is fitted with a plug that complies with BS 1363. Only high quality 13A (square pin) plugs that comply with this standard should be fitted.

Wires are coloured as follows:

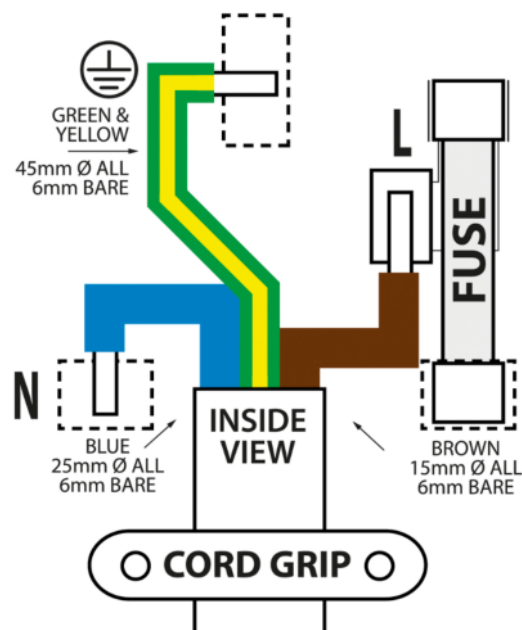
Brown – Live

Blue – Neutral

Yellow & Green – Earth

If the appliance is fitted with a 2-core cable it is double insulated and will not have the yellow and green earth wire.

IT IS ESSENTIAL THAT WIRES ARE ATTACHED ONLY TO THEIR DESIGNATED POSITIONS IN THE PLUG



Fuses must be replaced with the same rating as the original; please refer to the fuse rating stated on the plug for this information. Only genuine fuses compliant with BS 1362 should be used.

Declaration of Conformity

In accordance with EN ISO 17050-1:2010

We Branded Garden Products Ltd
of Poplar Lane, Ipswich, Suffolk, IP8 3BU, UK

in accordance to the following Directives:

2014/30/EU	The Electromagnetic Compatibility Directive
2006/42/EC	The Machinery Directive
2000/14/EC	The Noise Emission in the Environment by Equipment for Use Outdoors Directive
2011/65/EU & 2015/863/EU	Restriction of Hazardous Substances Directive
1907/2006	Annex XVII & SVHC
2012/19/EU	Waste Electrical and Electronic Equipment Directive
94/62/EC	Packaging and Packaging Waste

hereby declare that:

Equipment	1600W PUSH GARDEN BLOWER
Model number	G4080 / CXD1800

is in conformity with the applicable requirements of the following documents

Ref. No.

EN 60335-1:2012+A11:2014; EN 50636-2-100:2014; EN 62233:2008; EN 55014-1:2006+A1:2009+A2:2011; EN 55014-2:2015; EN 61000-3-2:2014; EN 61000-3-3:2013; EN 61000-3-11:2000; AfPS GS 2014:01 PAK; IEC 62321

Noise measurements have been made in accordance with EN ISO11680-1 with internal control of production (Schedule 8 / Annex V). The declared noise values are as follows:

Measured sound power level	Guaranteed sound pressure level
111.0 dB LwA	95.0 dB LpA

I hereby declare that the equipment named above has been designed to comply with the relevant sections of the above referenced specifications and is in accordance with the requirements of the Directives.

Signed by:



Mr Chris Wright
Managing Director
Branded Garden Products Ltd
May 2022



The technical documentation for the machinery is available from:
Poplar Lane, Ipswich, Suffolk, IP8 3BU

GUARANTEE IMPORTANT

Please do not return this product without first calling the Customer Service number below:

0871 911 7031*

Thank you for purchasing this product, which has been made to demanding high quality standards and is guaranteed for domestic use against manufacturing faults for a period of 12 months from the date of purchase.

Register your product for an extended 2-year warranty by visiting our website www.gardengearonline.co.uk. The product must be registered, along with your contact information, within 30 days of purchase. For full terms and conditions please visit our website.

This guarantee does not affect your statutory rights. If your product fails due to a defect in material or workmanship during this period, please return it to the place of purchase. Normal wear and tear is not covered under the guarantee.

Any guarantee is invalid if the product has been misused or subject to neglect or an attempted repair other than by our own service centre.

Due to continuous product improvement, we reserve the right to change the product specification without prior notice.

After Sales Customer Service:

Branded Garden Products Ltd, Premier House, Hortonwood 7, Telford, TF1 7GP

Telephone: 0871 911 7031*

E-mail customerservice@gardengearonline.co.uk

Please retain for future reference.

Colours and contents may vary.

Waste electrical products should not be disposed of with household waste. Please recycle where facilities exist. Check with your Local Authority or retailer for recycling advice.

Please note that all products with the symbol below must be recycled.



*Calls cost 13p per minute, plus your phone company's access charge